

Technical Manual

JBL SR4726A

SPECIFICATIONS



ACOUSTIC & ELECTRICAL SPECIFICATIONS:

- Nominal Impedance: 4 ohm
- Power Capacity: 600W Continuous Pink Noise
- Frequency Range: 35 Hz to 18 kHz (-10 dB)
- Sensitivity: 96 dB SPL*
- Crossover Frequencies: 1.1 kHz

SYSTEM COMPONENTS:

- Cabinet: CSR4726A
- Grille: GSR4726 (75677)
- Low Frequency Transducer: 380mm (15 in.) Paper Cone Transducer (2226G)
- DC Resistance: 5.0 ohm $\pm 10\%$ Aluminum Wire

SYSTEM COMPONENTS: (cont'd)

- High Frequency Transducer: 38mm (1-1/2 in. Exit) Pure Titanium Compression Driver (2447J)
- DC Resistance: 8.0-ohm $\pm 8\%$ Aluminum Wire
- Crossover Network: 75676

AURAL SWEEP TEST SPECIFICATIONS:

- A. System Aural Sweep Test: 7.0V Input, 20 Hz to 20 kHz
- B. L.F. Aural Sweep Test: 7.2V Input, 20 Hz to 1.2 kHz
- C. H.F. Aural Sweep Test: 2.0V Input, 550 Hz to 20 kHz

PHYSICAL SPECIFICATIONS:

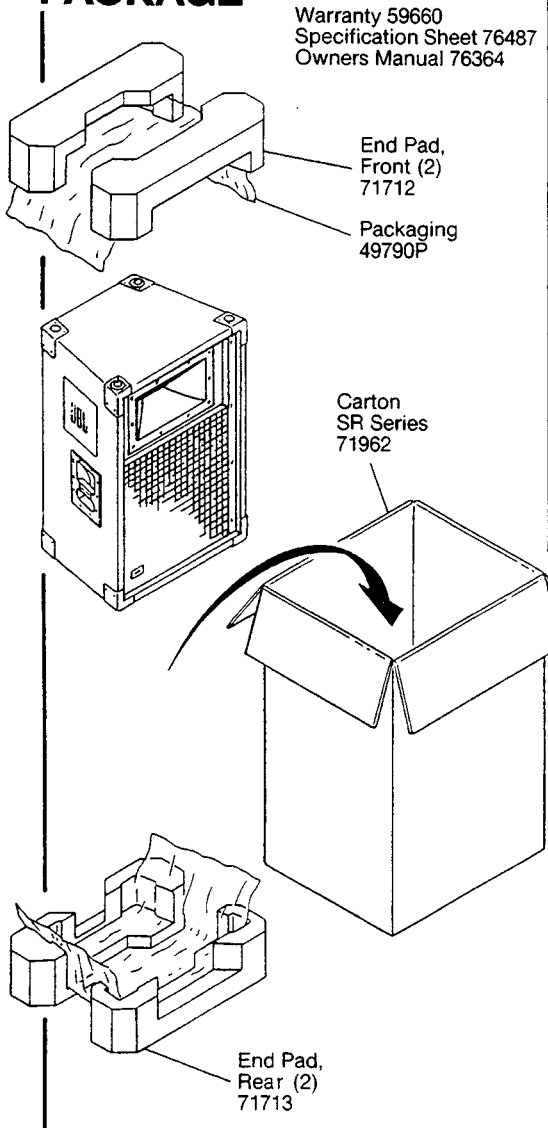
- Enclosure Dimensions: 921mm x 635mm x 460mm D (36.25 x 25.0 x 18.0 in. D)
- Shipping Weight: 102 lbs. (46.3 kg.)

WARRANTY INFORMATION:

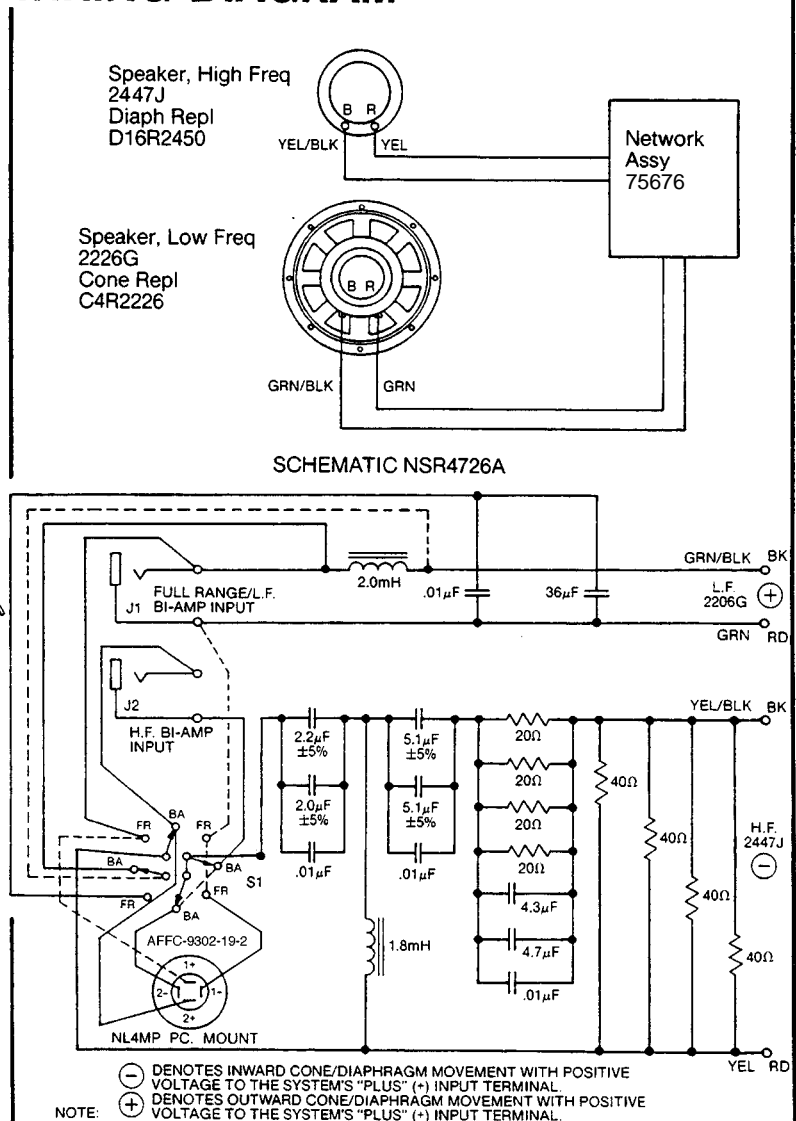
- Refer to the Warranty Statement packed with each product.

*1 Watt (2.0 V RMS) @ 1 Meter

PACKAGE



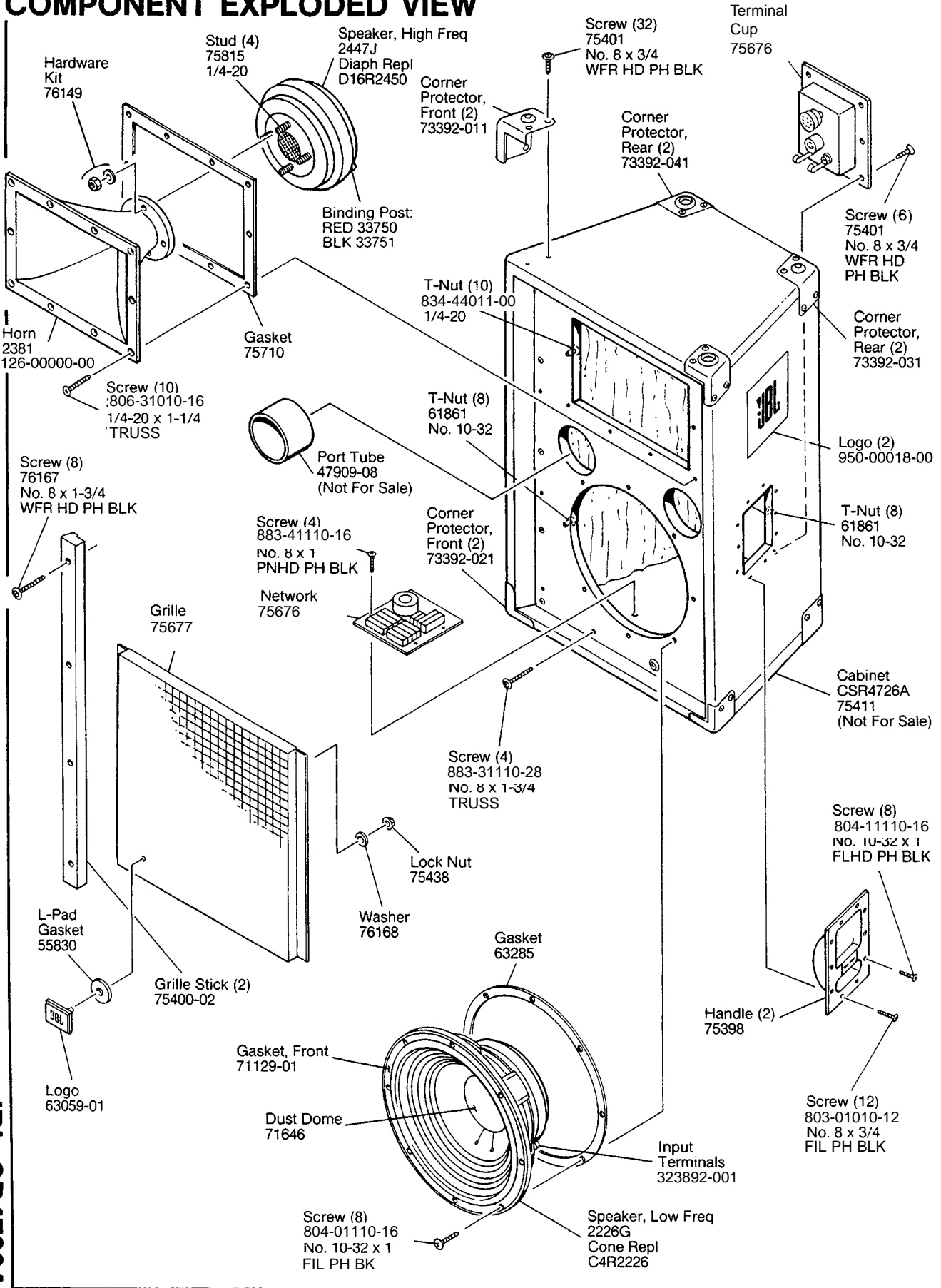
WIRING DIAGRAM



JBL SR4726A REV1

JBL SR4726A

COMPONENT EXPLODED VIEW



JBL SR4726A