

Technical Manual

JBL STX818S

SPECIFICATIONS



ACOUSTIC & ELECTRICAL SPECIFICATIONS:

- Nominal Impedance: 8 Ohms
- Power Rating: Continuous / Program / Peak:
1000W / 2000W / 4000W
- Frequency Response: 40 Hz - 120 Hz (± 3 dB)
- Frequency Range: 35 Hz - 250 Hz (-10 dB)
- Maximum SPL: 132 dB SPL peak
- System Sensitivity: 96 dB SPL (1 watt @ 1 meter)
- Recommend Crossover
Frequencies: 30 Hz, 24 dB / octave HPF
80 Hz, 24 dB / octave LPF

AURAL SWEEP TEST SPECIFICATIONS:

- A. System Aural Sweep Test: 10.0V Input, 20 Hz to 1000 Hz
- B. L.F. Aural Sweep Test: 7.0V Input, 20 Hz to 1000 Hz

PHYSICAL SPECIFICATIONS:

- Enclosure Dimensions: 558 x 568 x 718 mm D
(22.0 x 22.4 x 28.3 in. D)
- Net Weight: 100 lb (45 kg.)

WARRANTY INFORMATION:

- Refer to Warranty Statement packed with each product.

SYSTEM COMPONENTS:

- Cabinet: Enclosure (Not For Sale)
- Grille: 5013224
- Low Frequency Transducer: 2242H, 457 mm (18 in) Super Vented Gap Cooled™ woofer
- DC Resistance: 4.7 ohm
- Terminal Cup: 353601-001

PACKAGE

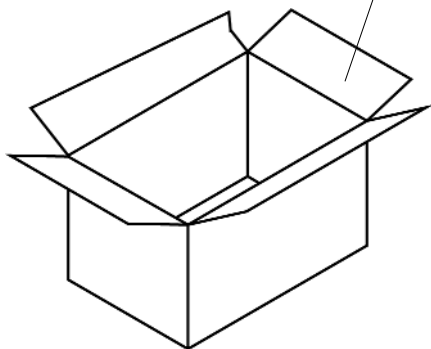
Warranty 59660

Spec Sheet
5022494

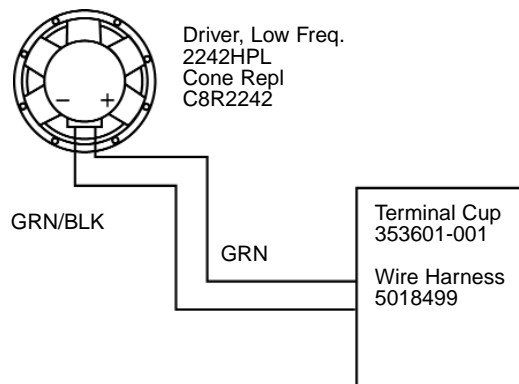
Carton
5018501

Filler (2)
5018502

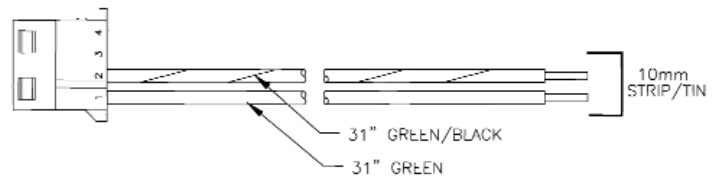
PKG, Microfoam (8)
49790P



WIRING DIAGRAM



Wire Harness - (5018499)



JBL STX818S REV B

JBL STX818S

COMPONENT EXPLODED VIEW

