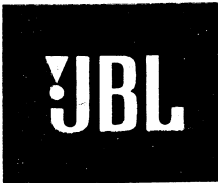


Technical Manual



JBL4742A

DUAL 300 MM (12") DIRECT RADIATOR SUB-BASS SYSTEM

SPECIFICATIONS

ACOUSTIC & ELECTRICAL SPECIFICATIONS:

- Nominal Impedance: 4 ohm
- Power Rating: 1200W AES Pink Noise
- Frequency Response: 35 Hz to 2 kHz (± 3 dB)
- Sensitivity: 98 dB SPL*
- Crossover Frequencies: 80 Hz to 250 Hz, 30 Hz Low Cut

SYSTEM COMPONENTS:

- Cabinet: C4742A
- Grille: G4742A

SYSTEM COMPONENTS: (cont'd)

- Low Frequency Transducer: 300mm (12 in.) Cone Transducer (2206H) (2)
- Crossover Network: JBL/UREI 5235 Active Crossover 53-5334 Crossover Card

PHYSICAL SPECIFICATIONS:

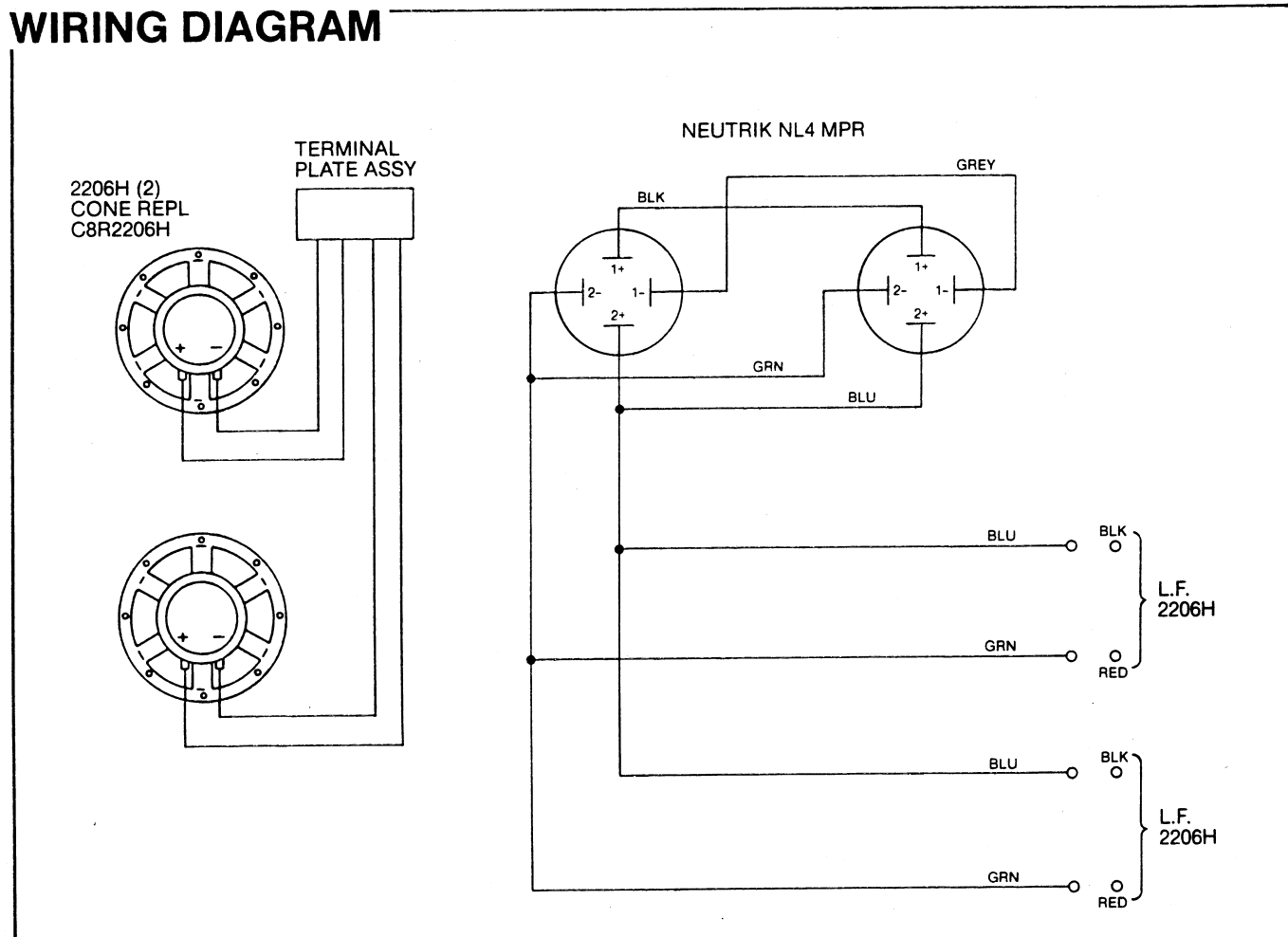
- Enclosure Dimensions: 500mm x 850mm x 530mm D (19.68 x 33.5 x 20.87 in. D)
- Shipping Weight: 103 lbs. (46 kg)

WARRANTY INFORMATION:

- Refer to the Warranty Statement packed with each product.

*1 Watt (2.83 V RMS) @ 1 Meter

WIRING DIAGRAM

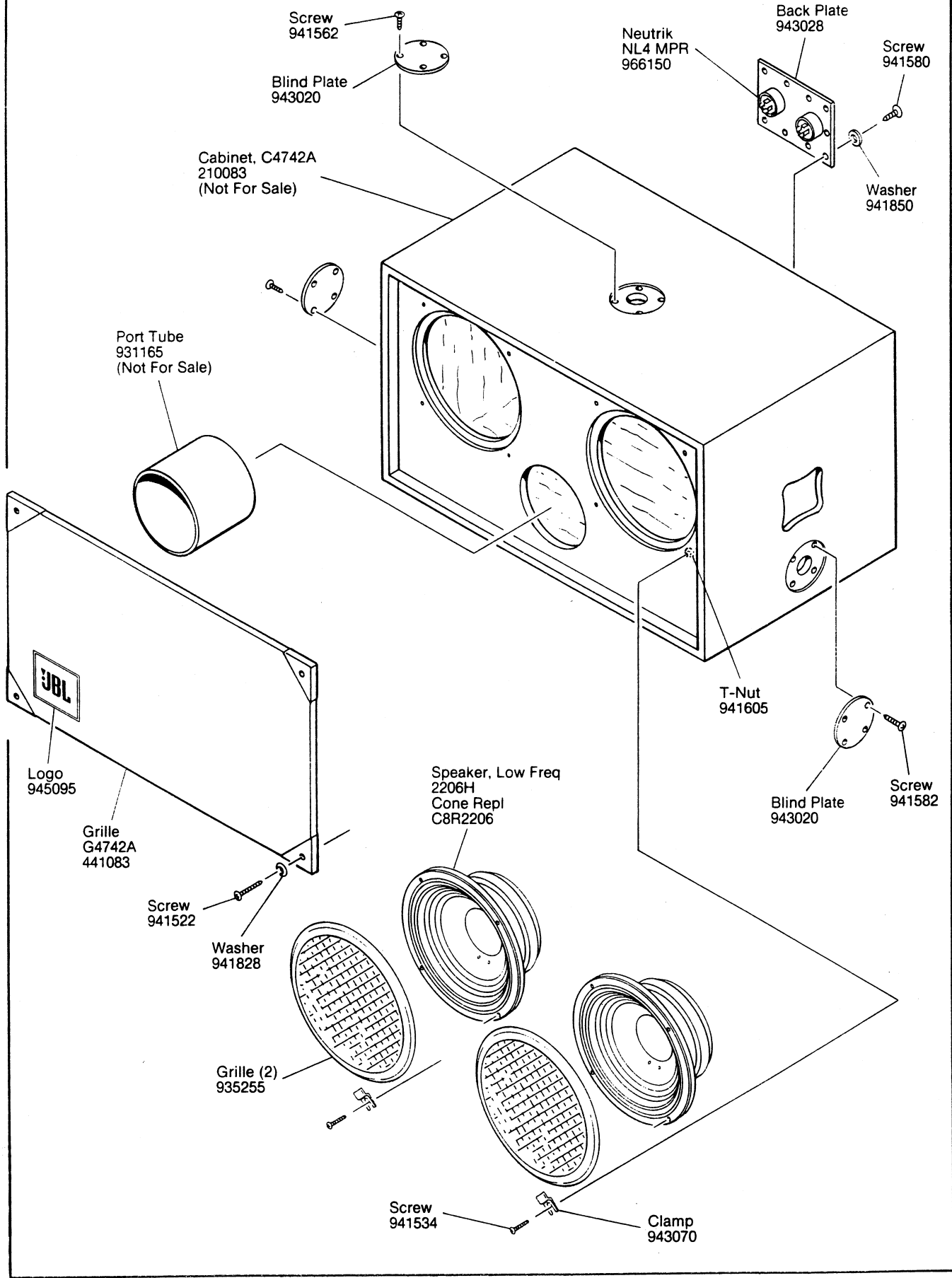


PACKAGE

Wood Shipping Crate

JBL4742A

COMPONENT EXPLODED VIEW



JBL4742A