

Technical Manual

JBL I732



SPECIFICATIONS

ACOUSTIC & ELECTRICAL SPECIFICATIONS:

- Nominal Impedance: LF: 8 ohm
HF: 8 ohm
- Power Rating: HF: 150 W Continuous Program above 1 kHz
LF: 600 W AES
- Frequency Response: 50 Hz - 16 kHz
- Sensitivity: LF: 99 dB (1m, 2.83V)
HF: 111 dB (1m, 2.83V)
- Crossover Frequency: Active 1 kHz - 1.5 kHz (C236)

SYSTEM COMPONENTS:

- Cabinet: CI732
- Grill: GI732
- Low Frequency Transducer: 380 mm (15 in)
Cone Transducer (2227H)
- DC Resistance: 5.0 ohm \pm 10% Copper Wire

SYSTEM COMPONENTS:

- High Frequency Transducer: 100 mm (4 in)
Pure Titanium Diaphragm
Compression Driver (2447H)
- DC Resistance: 4.10 ohm \pm 8% Aluminium Wire

PHYSICAL SPECIFICATIONS:

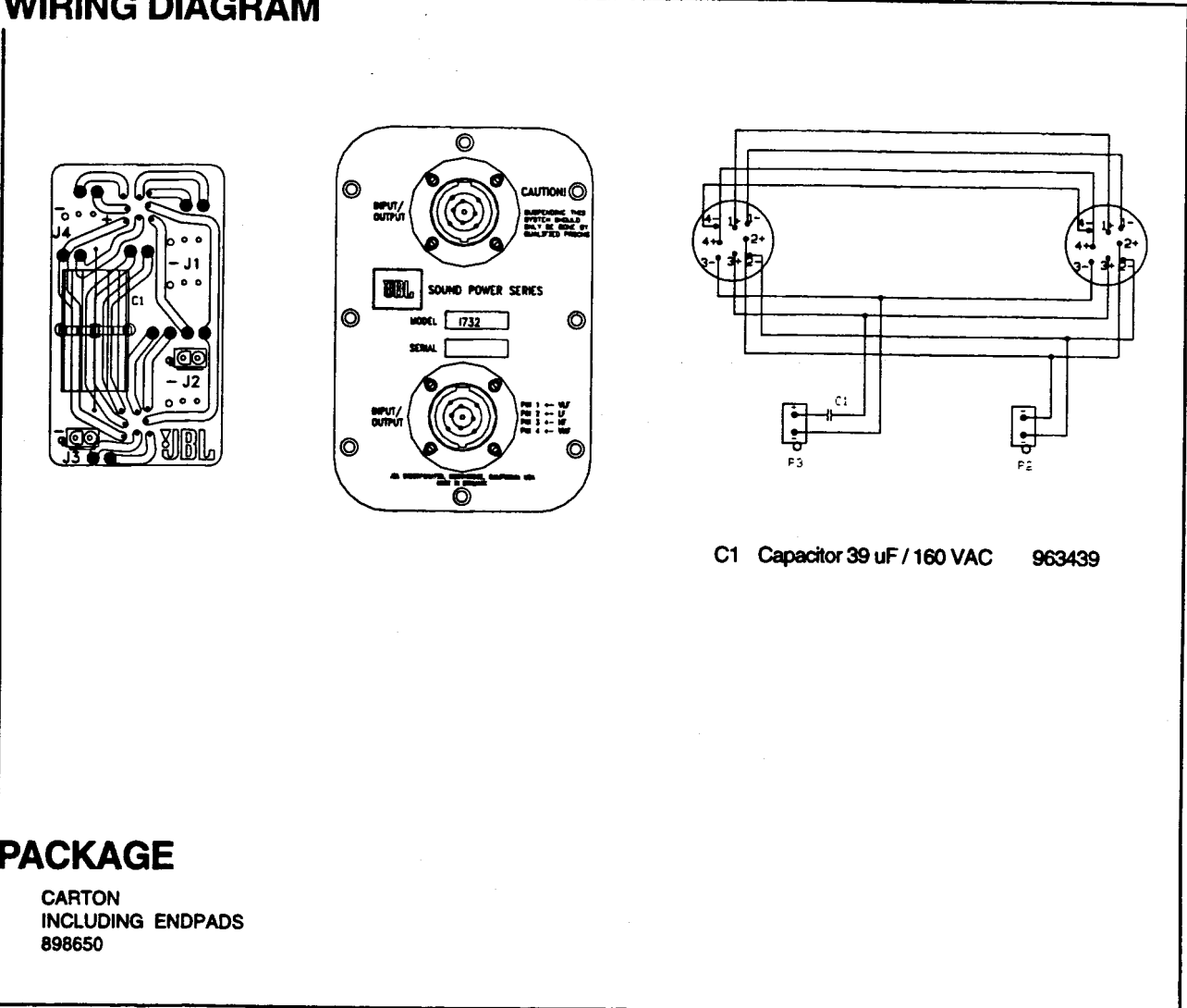
- Enclosure Dimensions: 720 x 553 x 480 mm
28.34 x 21.78 x 18.88 in
- Shipping Weight: 57.5 kg (126.5 lb)

NEUTRIK CONNECTOR

- Pins 1 \pm = Loopthrough
- Pins 2 \pm = Input LF
- Pins 3 \pm = Input HF
- Pins 4 \pm = Loopthrough

⊕ Denotes outward cone movement with positive voltage applied to LF pin 2 + and HF pin 3 +.

WIRING DIAGRAM



C1 Capacitor 39 uF / 160 VAC 963439

PACKAGE

CARTON
INCLUDING ENDPADS
898650

JBL I732

JBL I732

COMPONENT EXPLODED VIEW

TO CHANGE DIAPHRAGM:
Unscrew the 4 screws holding
the horn, and turn anti-clockwise.

NOTE!
A complete horn consists
of 2 part numbers.

