


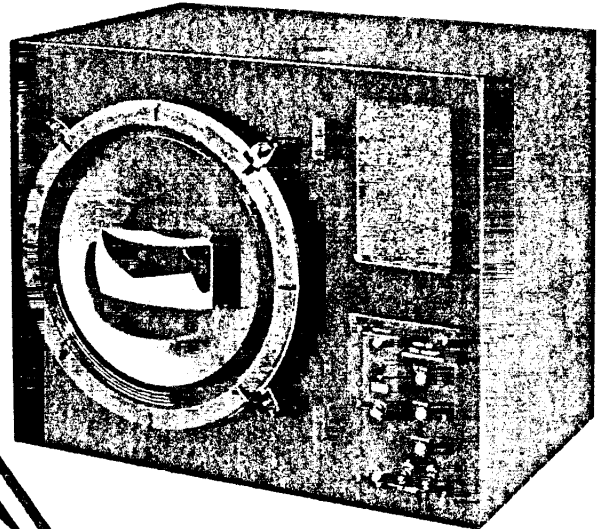
TIME ALIGNED™ STUDIO MONITOR SYSTEM

MODEL
811

™ Licensed by E. M. Long Associates

FEATURES:

- TIME ALIGNED™ monitor system designed for the professional studio.
- Features UREI 800 series TATM network (patent pending).
- 6048G duplex with UREI custom H.F. horn for extended and more uniform H.F. response.
- Size is ideal for small control rooms, disc-cutting or mastering rooms, and audition rooms.
- <5 cu. ft. enclosure with pressure control aperture for excellent L.F. damping, good efficiency and low distortion.
- Unique enclosure damping method provides high efficiency conversion of low frequency sound pressure to adiabatic energy.




The 811 Studio Monitor System is the second product of a joint R & D effort of UREI and E. M. Long Associates. The TIME-ALIGNED™ TECHNIQUE is a real-time design method, utilizing proprietary instrumentation developed by Long which allows the driver placements and network parameters to be adjusted simultaneously, achieving near perfect alignment of the frequency components of a complex transient waveform as heard by a listener.

The importance of time (phase) parameters of loudspeaker systems, in addition to smooth frequency response, has been postulated for many years. These group time delay anomalies may be severe in some multi transducer systems, although they may exhibit satisfactory or even excellent frequency response.

Within the last decade, many advocates have presented outstanding scientific papers on this subject. Richard C. Heyser, among others, has contributed magnificent re-

search dealing with the importance of time (phase) correlation.

Quoting from Heyser in Audio, June 1976: "We realize that the concept of time response of a speaker is a whole new ballgame to many people and is probably a bit confusing if all you ever considered before was steady state frequency measurements."

Edward M. Long presented a paper before the Audio Engineering Society in May of 1976, entitled "A Time Align Technique for Loudspeaker System Design." UREI is a licensee of E. M. Long Associates, for the instrumentation methods and the use of the Trademark ™.

For stereo applications the model 811 Studio Monitor System is built in "mirror-image" (811L, 811R) to produce identical dispersion towards the listening position between two systems. The series 800 TA networks* with the 800H custom H. F. horn, are also available separately in two way and three way configuration¹ for both the 6048G and the 604E. (*Patent Pending).

UNITED RECORDING ELECTRONICS INDUSTRIES

8460 SAN FERNANDO RD., SUN VALLEY, CALIFORNIA 91352
TELEX 65-1389 UREI SNVY

(213) 767-1000

 company

MODEL
811

SPECIFICATIONS:

Type: Single woofer coaxial with Model 828 two way TA network

Power Rating: 75 watts 40 Hz to 20 kHz, with pink noise

Frequency response: ± 3 dB, 80 Hz to 15 kHz measured "freespace"
4 π steradians (h = 5 m, d = 1 m)

Sensitivity: 87 dB SPL/volt/meter

Impedance: 8 ohms, nominal (minimum impedance > 8 ohms)

Network: UREI 828 2-way

Cabinet: Utility flat black painted

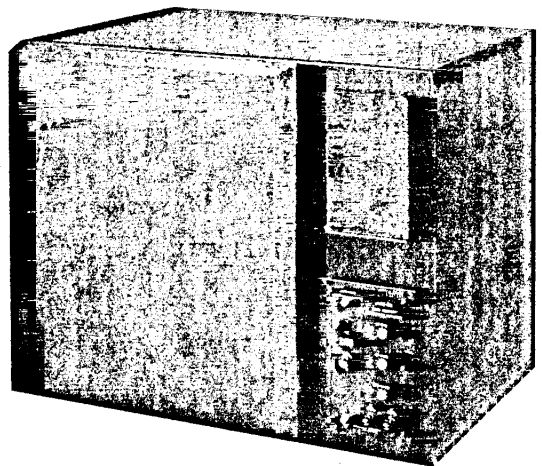
Weight: 50 kg (110 pounds)

Dimensions: h = 0.527 m (20 $\frac{3}{4}$ "")

w = 0.673 m (26 $\frac{1}{2}$ "")

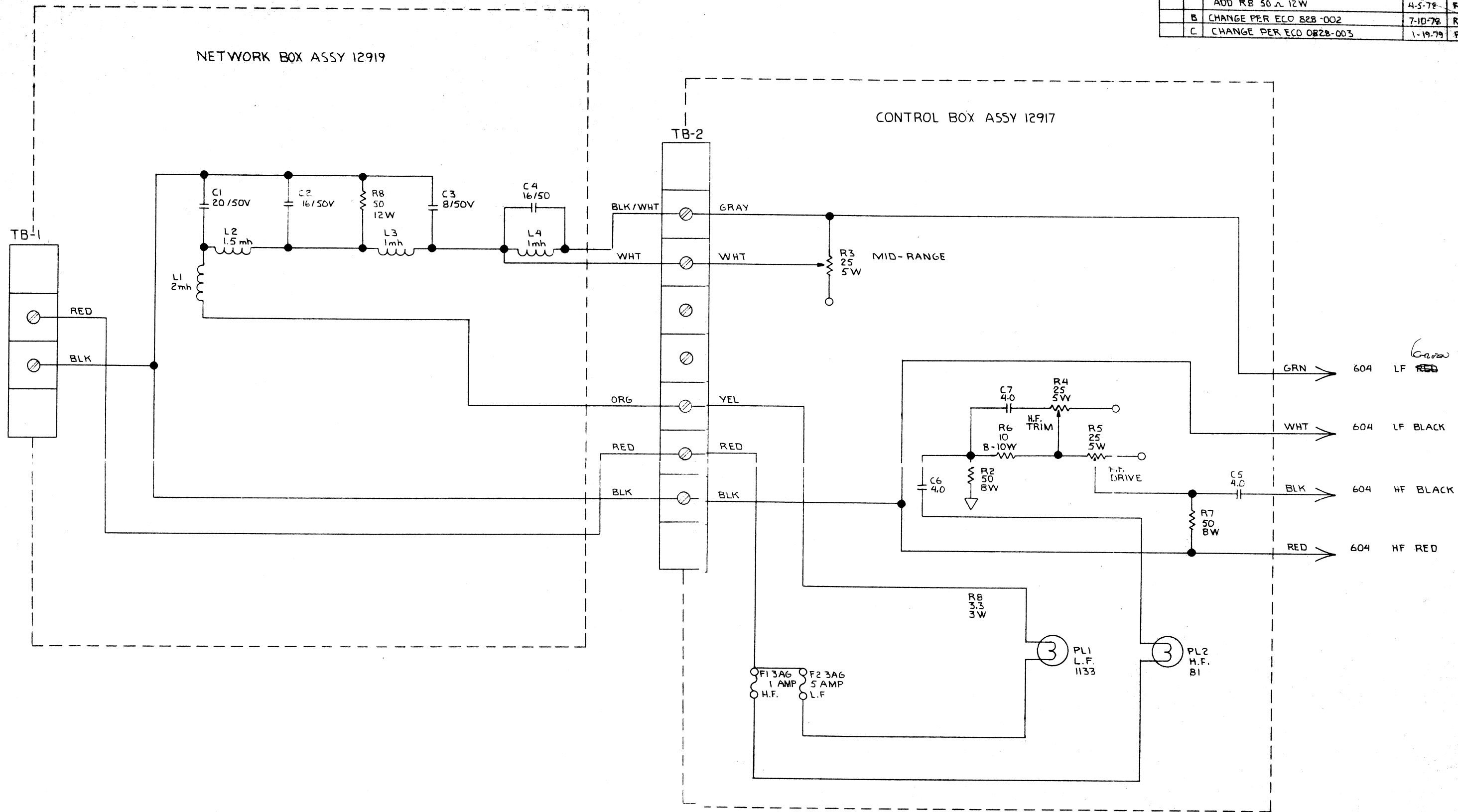
d = 0.445 m (17 $\frac{1}{2}$ "") without grille

0.483 m (19"") with grille



**UREI 811 SYSTEM
WITH ACCESSORY GRILLE 811G**

REVISIONS				
ZONE	LTR	DESCRIPTION	DATE	APPROVED
A		CHANG R6 10Ω BW TO R6 10Ω 10W ADD R8 50Ω 12W	4-5-78	R.P.M.
B		CHANGE PER ECO 828-002	7-10-78	R.P.M.
C		CHANGE PER ECO 0828-003	1-19-79	R.P.M.



- 3. ARROW ON POTENTIOMETER INDICATES CLOCKWISE DIRECTION.
 - 2. CAPACITOR VALUES ARE IN MICROFARADS
 - 1. RESISTOR VALUES ARE IN OHMS ± 5°
- NOTES: UNLESS OTHERWISE SPECIFIED

UNLESS OTHERWISE SPECIFIED DIMENSIONS ARE IN INCHES TOLERANCES ARE: FRACTIONS DECIMALS ANGLES ± .XX ± ± ± .XXX ± ±		CONTRACT NO.		UNITED RECORDING ELECTRONICS INDUSTRIES 11922 VALERIO STREET NO. HOLLYWOOD, CALIFORNIA 91605	
MATERIAL		APPROVALS	DATE	SCHEMATIC	
FINISH		R.P.M.	1-26-78		
NEXT ASSY	USED ON	CHECKED		SIZE	MODEL NO.
APPLICATION	DO NOT SCALE DRAWING			D	828
				SCALE	DRAWING NO.
					12920C
					SHEET OF